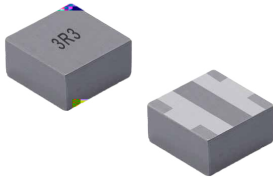


SPM Series

SMT Power Metal Inductor

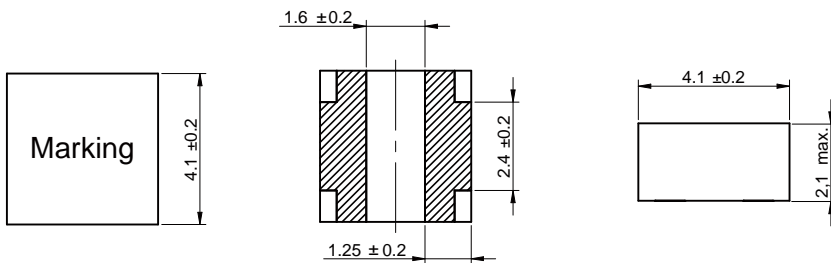
Size 4020



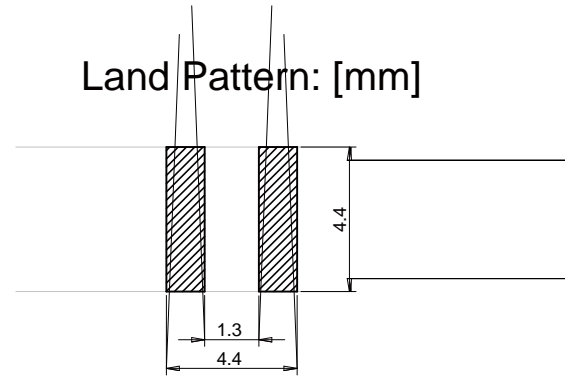
FEATURES

- Large current, Low DC-resistance, High efficiency by magnetic metal powder
- Low acoustic noise and low leakage flux noise by shielded construction
- Operating temperature: -40 ~125
- Quantity: 1000 pcs/reel

Dimensions: [mm]



Land Pattern: [mm]



Electrical Properties:

Part Number	Inductance (mH)	Inductance Tolerance (%)	DC Resistance (mΩ)	DC Resistance Tolerance (%)	Q Factor
SPM4020-R22N	0.22	± 30%			7.5
SPM4020-R33N	0.33	± 30%			8.0
SPM4020-R56N	0.56	± 30%			9.0
SPM4020-1R0M	1.0	± 20%			
SPM4020-1R5M	1.5	± 20%			
SPM4020-2R2M	2.2	± 20%			
SPM4020-3R3M	3.3	± 20%			
SPM4020-4R7M	4.7	± 20%			
SPM4020-5R6M	5.6	± 20%			
SPM4020-6R8M	6.8	± 20%			
SPM4020-100M	10	± 20%			

Inductance is measured at 100kHz.

Temperature rise current: the actual value of DC current when the temperature rise is T_{40} .

Saturation Current that will cause initial inductance to drop approximately 20%.

Typical Electrical Characteristics:

