

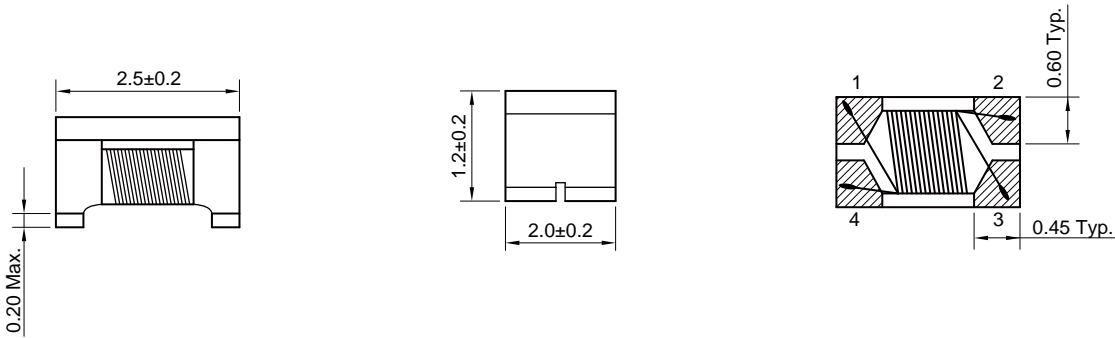
Common Mode Filter Size 2520



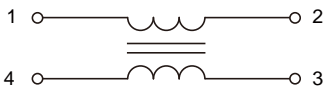
High common mode impedance for outstanding noise suppression performance.
 Realize small size and low profile.0*0*2mm
 Operating temperature -40~+125
 Excellent solderability

USB2.0 lines for PC, TV, Peripheral equipments
 Standard signal lines
 Audio lines

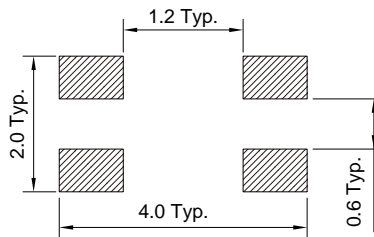
Dimensions: [mm]



Schematic:



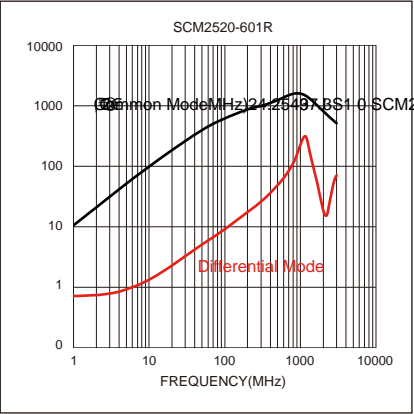
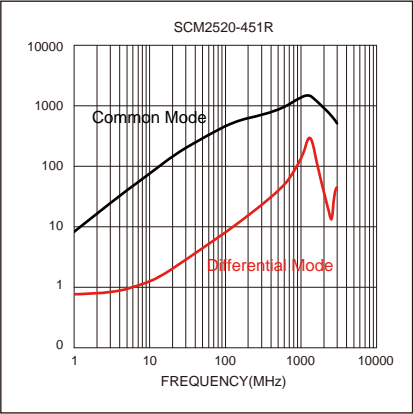
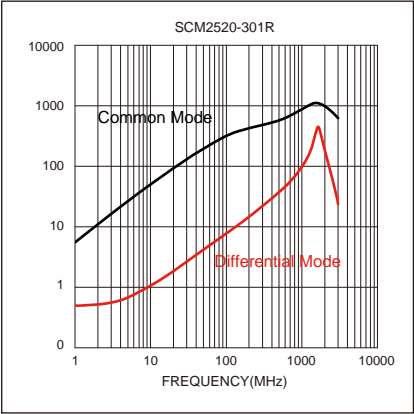
Land Pattern: [mm]



Electrical Properties:

Part No	Impedance @ 100 MHz	Tolerance	DC Resistance Max.	Rated Current Max.	Rated Volt Max.	IR Min.
SCM2520-301R	300	±25%	0.25	400	50	10
SCM2520-451R	450	±25%	0.30	350	50	10
SCM2520-601R	600	±25%	0.38	330	50	10
SCM2520-102R	1000	±25%	0.50	240	50	10

Typical Electrical Characteristics:



Common Mode MHz 24.28.49.851.0 SCM2520-601 re21

Cautions and Warnings:

Storage Conditions :

- The storage period is within 12 months after the completion of production. Be sure to follow the storage conditions (temperature: -5 to 35°C, humidity: 75% RH Max). If the storage period elapses, the soldering of the terminal electrodes may deteriorate. The warranty period is one year.

-

-

-

Operation Instructions:

-

-

-

-